

ER2450 Lithium Thionyl Chloride Battery

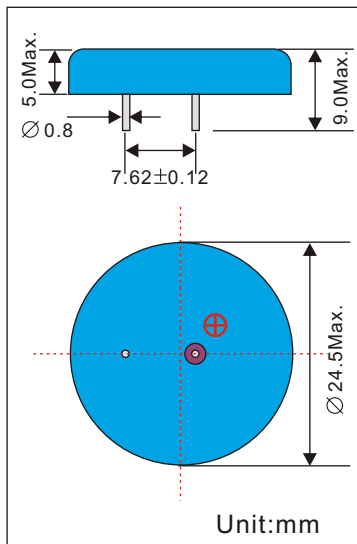
Brief Datasheet

1 Basic Specification

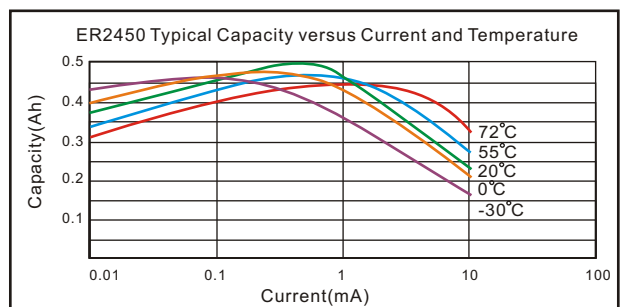
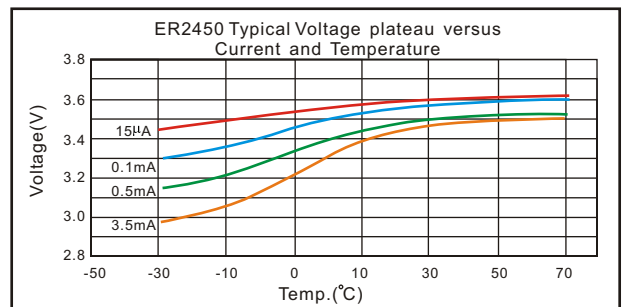
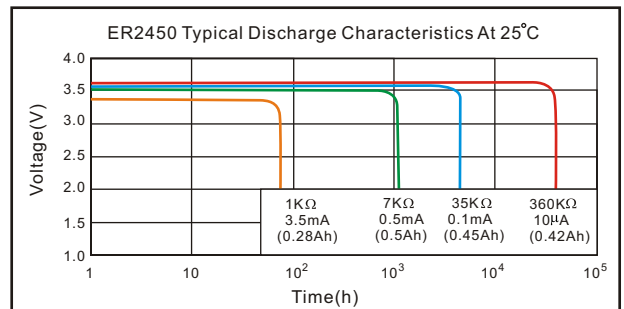
(Typical values relative to cells stored for one year or less at +30°C max.)

Nominal capacity (at 2mA +23°C, 2.0V cut off)	500mAh
Nominal voltage	3.6V
Standard discharge current	2mA
Maximum continuous current	4mA
Maximum pulse current	10mA
Operating temperature range	-55°C- +85°C
Storage temperature (recommended)	+30°C Max
Weight	10g

2 Dimension



3 Electrical Characteristics



BUTTON TYPE

Note: Any representations in this brochure concerning performance, are for informational purposes only and are not construed as warranties either expressed or implied, of future performance.