

ER9V

Lithium Thionyl Chloride Battery

Brief Datasheet

1 Basic Specification

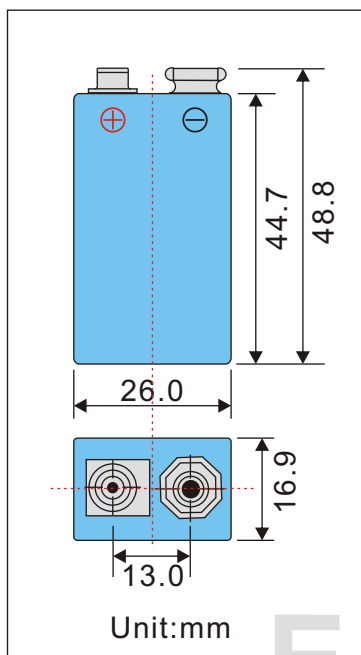
(Typical values relative to cells stored for one year or less at +30°C max.)

Nominal capacity (at 1mA +23°C,2.0V cut off)	1200mAh
Nominal voltage	10.8V
Standard discharge current	1mA
Maximum continuous current	35mA
Maximum pulse current	100mA
Operating temperature range	-55°C- +85°C
Storage temperature (recommended)	+30°C Max
Weight	29g

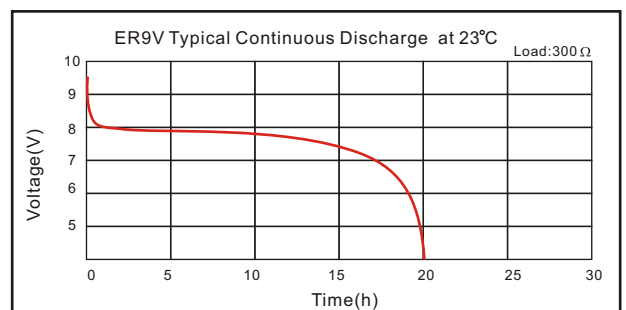
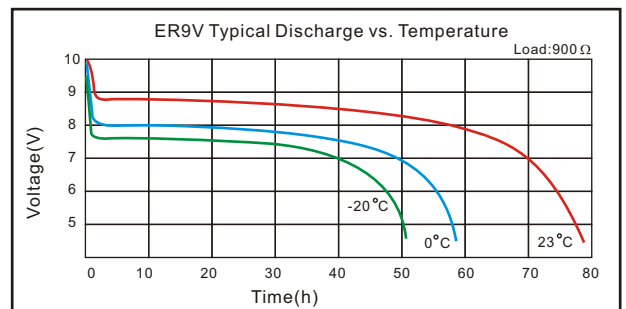
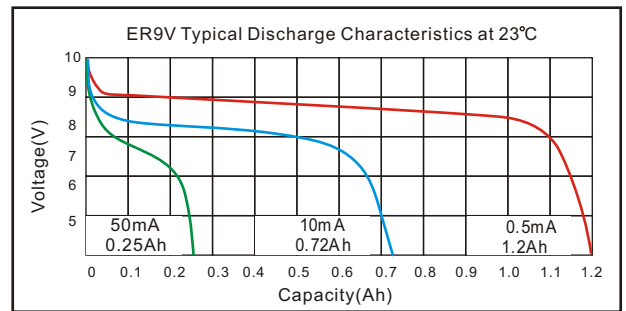
*Energy type is bobbin structure and best suit for low current discharge. It may require depassivation before medium currents can be delivered.

*Underwriters Laboratories (UL) Component Recognition (File Number MH 20555).

2 Dimension



3 Electrical Characteristics



ENERGY TYPE

Note: Any representations in this brochure concerning performance, are for informational purposes only and are not construed as warranties either expressed or implied, of future performance.